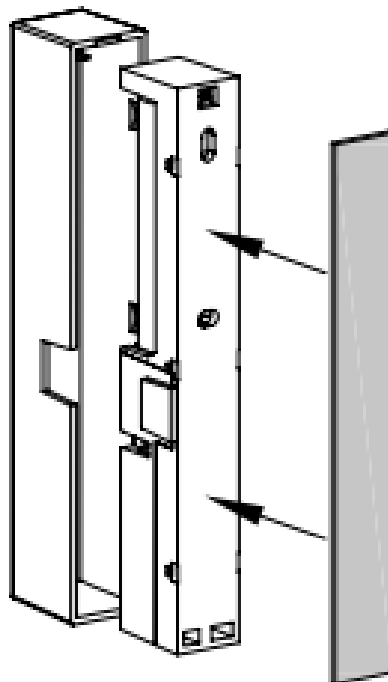




**Installation Manual  
Wireless Door Sensor  
Optic**



## Table of Contents

GETTING STARTED .....	3
UNPACKING.....	3
MOUNTING.....	4
INSERTING BATTERY .....	4
RESPONSE ONCE THE BATTERY HAS BEEN INSERTED.....	5
TESTING THE SENSOR.....	5
RESTORE FACTORY SETTINGS .....	6
MAINTENANCE.....	6
TECHNICAL SPECIFICATIONS .....	6
INSTRUCTIONS FOR DISPOSAL .....	7
ACTIVATION IN THE ALARM SYSTEM .....	7

## Getting Started

Congratulation with your new SuperSail product. We hope that you will be satisfied with the product and we are always available to give support in case you need it.

You can contact us at: [support@super-sail.dk](mailto:support@super-sail.dk)

Regards,

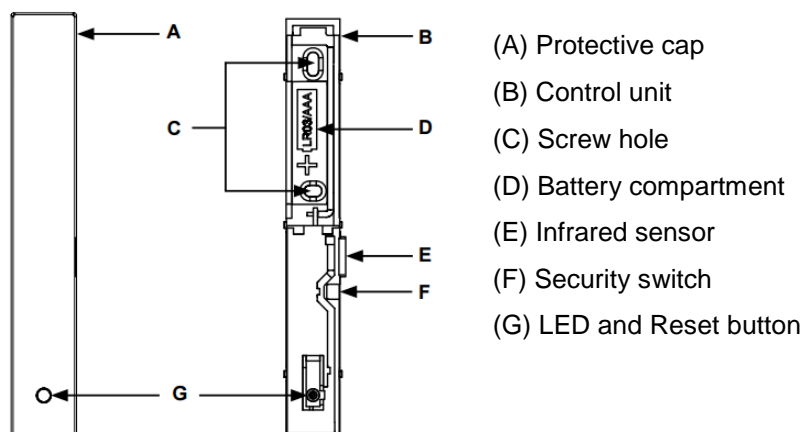
SuperSail Support Team

Please read the whole installation manual before starting the installation.

## Unpacking

Before you start using the unit you must ensure that the packaging has not been broken or have been injured during transport and that the product is complete and without any visible sign of damage or strained. If this is not the case, please contact SuperSail before using the product.

The Door sensor is an electrical/optic sensor, which wireless reports status of door/window (open/closed) to the SuperSail Alarm system.



The Door sensor consist of 2 main parts, plus batteries:

- Control unit
- Protective cap
- 1 AAA battery

Material for fastening are included.

The protective cap in 2 colours makes it possible to reduce the visibility of the sensor – only one is to be used.

## Mounting

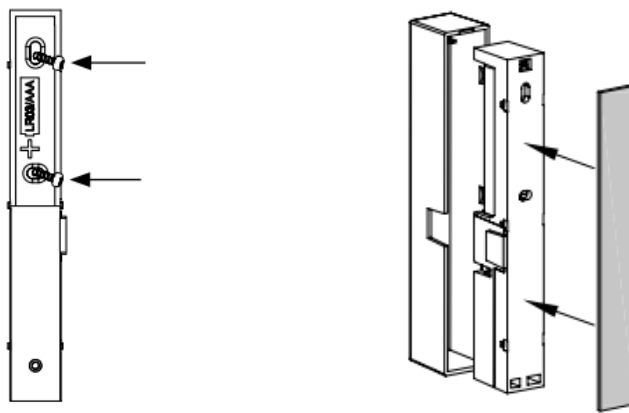
Please read this entire section before starting to mount the device. Do not yet place the cap!

Fasten the window/door contact on the side of the window or door where the handle is located, in the upper third of the window / door frame. The infra-red sensor (E) has to point into the direction of the window/door casement.

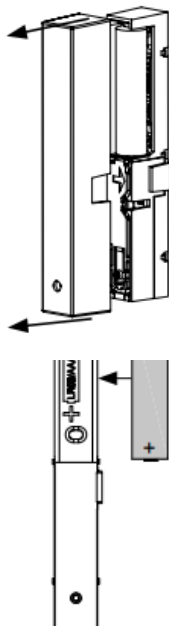
The ideal spacing between the housing edge of the window/door contact and the window/door casement should be 3 mm. If the window/door handle is located on the right side, you have to turn around the window/door contact so that the infra-red sensor points into the direction of the window / door casement also on this side.

For poorly reflecting surfaces (e.g. dark window/door frames) the supplied reflecting sticker has to be fixed to the inner edge of the window/door casement on the opposite of the infra-red sensor (E) or the window/door contact.

You can mount the window/door contact with the double-sided adhesive strip or countersunk head screws to the window/door frame as shown below.



## Inserting Battery



To replace the battery of the window/door contact, please proceed as follows:

Pull the cap (A) off the electronic unit (B). Therefore, gently squeeze the cap from above and below with your index finger and thumb and pull it forward (see figure below).

You will find the battery compartment inside.

Insert a new 1.5 V LR03/micro/AAA battery into the battery compartment (D), making sure that you insert them the right way around.

Please pay attention to the flashing signals of the device LED while inserting the batteries (See section: Error codes and flashing sequences).

Put the cap (A) back to the electronic unit (B).



Used batteries should not be disposed of with regular domestic waste!  
Instead, take them to your local battery disposal point.

If the device being controlled does not respond when a signal is sent or if the flashing code indicating an empty battery appears (5x red flashes), follow the instructions of the previous section to replace the old battery with one new of type LR03/micro/AAA.

You must observe the correct battery polarity.

### ***Response once the Battery has been inserted***

Once the battery has been inserted, the sensor will first perform a self-test, which will take about two seconds.

Initialisation is carried out. The LED test display will indicate that initialisation is complete: red, green and orange for half a second each.

If an error occurs, this is indicated by the LED flashing red

5 red blink	Battery level low Exchange the batteries
1 long blink followed by 2 short blink (repeated constantly)	Sensor defect Replace the sensor

Provided that the voltage value permits it, the door/window sensor will remain ready for operation also if the battery voltage is low. Depending on the particular load, it may be possible to send transmissions again repeatedly, once the battery has been allowed a brief recovery period.

If the voltage drops too far during transmission, the corresponding error code will be displayed once more by the LED.

### ***Testing the Sensor***

When the sensor is installed and activated in the Alarm system, the function of the sensor must be tested.

Open the door where the sensor is installed. Verify that the LED on the control unit is activated shortly.

After some seconds (depending on the time for SMS transmission on the network), an Alarm SMS is received indication alarm from the door sensor.

Close the door where the sensor is installed. Verify that the LED on the control unit activates shortly.

After some seconds (depending on the time for SMS transmission on the network), an Alarm SMS is received indication alarm from the door sensor is cancelled.

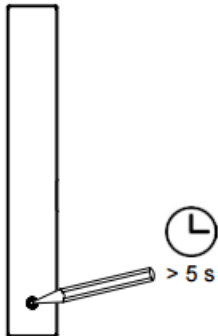
#### Fault Search:

- The yellow light is not turned on when the door/window is opened.  
Remove the batteries and re-insert them – verify that they are aligned correctly.  
Self-test as described above under “After Installation of Batteries”, will verify if there are any faults on the Door sensor.  
Verify that the Door sensor is installed correct, as described above under “Mounting”

- Light is turned on, but SMS is not received.  
Verify if the Door sensor is activated correctly in the Alarm system, as described below under "Activation in the Alarm system"  
Verify that the Door sensor ID is keyed in correctly.

### **Restore Factory Settings**

If the door sensor for some reason does not work properly and the battery has been exchanged, reset to factory settings must be tried.



To restore the factory settings of the door/window sensor, please proceed as follows:

Press the teach-in button (G) for at least 5 seconds using a pointed object. The LED will start to flash red slowly

To restore the factory settings of the device, press and hold the teach-in button (G) for at least another five seconds.

With the button pressed, the LED starts to flash red faster.

Release the button to complete the reset process.

To confirm that resetting has been carried out, the LED will light up red for approx. 3 seconds.

### **Maintenance**

This product does not require you to carry out any maintenance other than replacing the battery when necessary.

Enlist the help of an expert to carry out any maintenance or repairs.

Clean the product using a soft, lint-free cloth that is clean and dry.

You may dampen the cloth a little with lukewarm water in order to remove more stubborn marks.

Do not use any detergents containing solvents, as they could corrode the plastic housing and label

### **Technical Specifications**

Supply voltage:	1x 1.5 V LR03/micro/AAA
Current consumption:	100 mA (max.)
Battery life:	2 years (typ.)
Degree of protection:	IP20
Ambient temperature:	-20 to +55 °C
Radio frequency:	868.3 MHz
Receiver category:	SRD category 2
Typ. open area RF range:	> 100 m
Duty cycle:	< 1 % per h
Dimensions (W x H x D):	15 x 100 x 18 mm Weight: 30 g (incl. battery)

Changes may apply.

### Instructions for Disposal



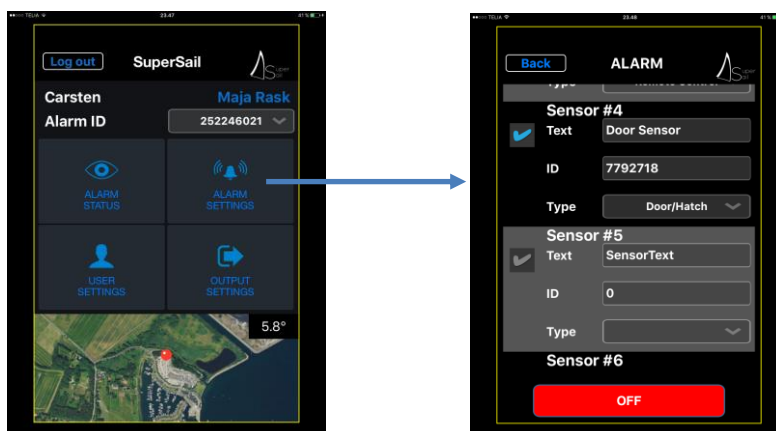
Do not dispose of the device with regular domestic waste.

Electronic equipment must be disposed of at local collection points for waste electronic equipment in compliance with the Waste Electrical and Electronic Equipment Directive.

### Activation in the Alarm system

After installation and test, the Door sensor must be activated in the Alarm system.

This is performed via the SuperSail app, where the Door sensor is activated via the Alarm menu.



In the above example, we have decided to activate the Door sensor as sensor #4, but all sensors are available for all sensor types.

In the "Text" field you can write a short text, which identifies the installation of the Door sensor. This text will be transmitted in the Alarm SMS in case the Door sensor is activated. It is therefore important that the text identifies the individual Door sensor.

In the "ID" field, you write the ID written on the back of the Door sensor. The ID is furthermore written on the Quick Guide which follows the Door sensor. This ID is unique for the Door sensor and makes it possible for the Alarm system to separate the wireless sensors. Save the ID in case the ID should be deleted from the app and need to be re-installed later.

In the "Type" field you choose "Door/Hatch", which specifies that the Door sensor is of the type Door sensor.

Finally, the sensor is activated by ticking the field next to the "Text" field. This activates the sensor in the Alarm system. When the alarm is turned on, this sensor will be included in the alarm.

It is recommended to activate the alarm and test that an alarm SMS is sent, if the Door sensor is activated.