

SuperSail

Marine Alarm

Installation Manual

Wireless Motion Sensor



Table of Contents

GETTING STARTED	2
UNPACKING.....	2
MOUNTING.....	4
Mounting of the wall/ceiling bracket.....	4
INSTALLATION OF BATTERIES.....	5
AFTER INSTALLATION OF BATTERIES	5
TESTING THE MOTION SENSOR.....	5
MOTION TEST	6
RESET TO FACTORY SETTINGS.....	6
MAINTENANCE.....	7
TECHNICAL SPECIFICATIONS	7
SAFE DISPOSAL	7
ACTIVATION IN THE ALARM SYSTEM	8

Getting started

Congratulation with your new SuperSail product. We hope that you will be satisfied with the product and we are always available to give support in case you need it.

You can contact us at: support@super-sail.dk

Regards,

SuperSail Support Team

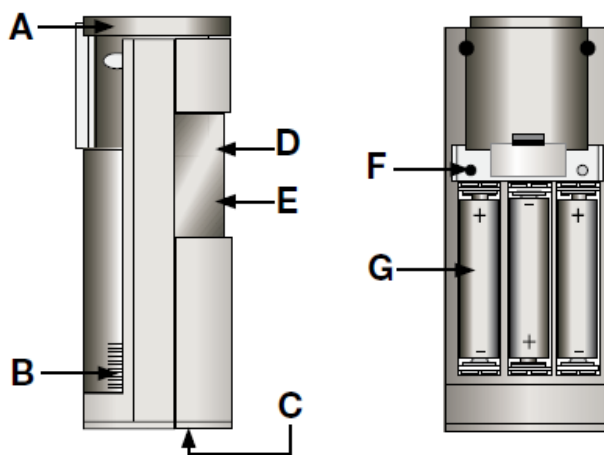
Please read the whole installation manual before starting the installation.

Unpacking

Before you start using the unit you must ensure that the packaging has not been broken or have been injured during transport and that the product is complete and without any visible sign of damage or strained. If this is not the case please contact SuperSail before using the product.

The wireless infrared Motion sensor detects motion generated by humans or other warm blooded animals.

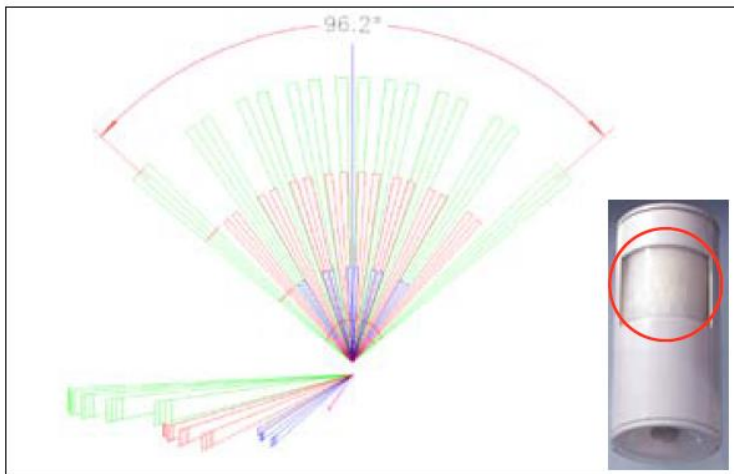
- Detection range up to 12 meter, detection angle for the main sensor is 90 deg.
- Creep-zone detection by additional 360 degrees sensor
- Short changes in brightness are filtered out
- Can be turned 45 degrees in both directions in the mounting bracket
- Battery life > 1 year



- (A) – Wall/ceiling mounting bracket
- (B) – Cover for battery holder
- (C) – 360-degrees Motion sensor (creep-zone protection)
- (D) – Light diode
- (E) – Motion Sensor – main sensor
- (F) – Reset button
- (G) – Battery holder, batteries: 3 x LR6/AA/Mignon

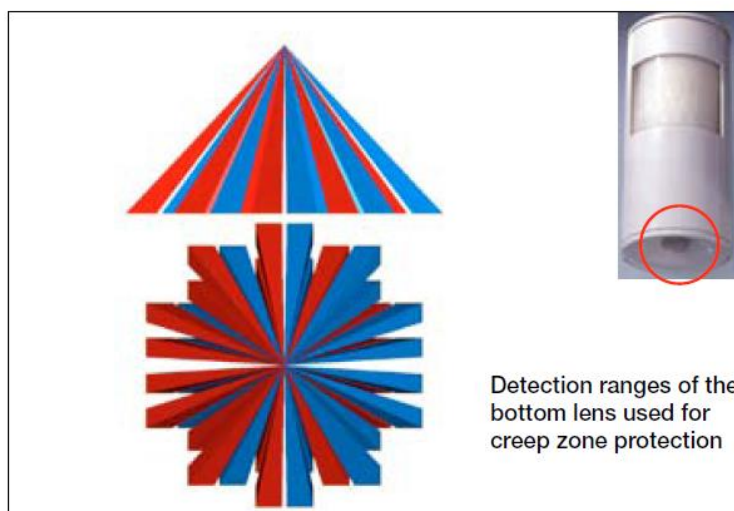
Main sensor is able to detect intrusion in an angle of 90 degrees in a range of up to 12 meter.

The below figure show the detection zone for the main sensor:



For further safety the Motion sensor is equipped with a creep-zone protection, which ensures that it is not possible to move “under the radar”. Creep-zone protection covers an area of 3.75m x 3.75m if the sensor is installed in a height of 2 meter.

The principle is shown below:



The Motion sensor is mounted in a height of 2 meter or as high as the environment allows for. To minimize the risk of false alarms, the Motion sensor must not be exposed for direct sunlight, car light or installed near a heater.

The main sensor should not be turned directly against a window or a heater, as the detection is achieved by measurement of the temperature difference between a moving object and the surrounding environment.

The Motion sensor is not able to detect Motion through window glass, as the sensor register difference in temperature between the environment and a person passing the detection zone.

The Motion sensor should not be mounted on metal or near larger items of metal, as this reduces the distance for the wireless communication.

Mounting

The Motion sensor has a mounting bracket, suitable for wall and ceiling mounting. As the sensor can be rotated 45 degrees in the bracket, it is possible after the installation to adjust the detection angle as wished.

The Motion sensor must be installed in a suitable place according to the detection zones described above.

Note!

The Motion Sensor register difference in temperature between the environment and a person passing through the detection zone.

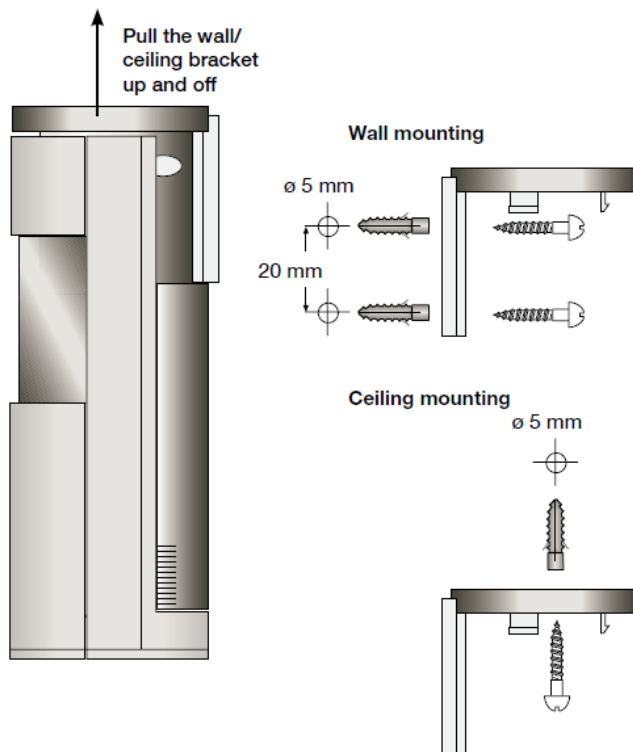
Higher difference in temperature means better detection and longer detection distance.

This means that if the Motion Sensor is installed in a hot place where the difference in temperature to a human body is little, the detection range will be short or impossible if no temperature difference can be registered.

Mounting of the wall/ceiling bracket

(see picture below)

1. Draw the wall/ceiling bracket up, to remove it from the Motion sensor
2. Place the bracket on a suitable position on the ceiling or on the wall
3. On soft surface, the bracket can be mounted using the included screws
4. On hard surface use raw-plugs or drill a small hole before screwing



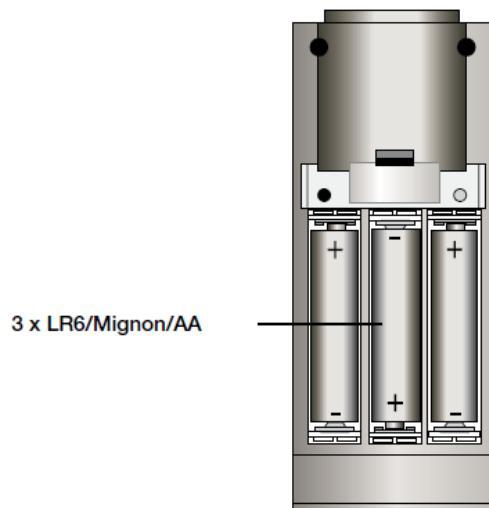
Installation of batteries

The Motion sensor uses 3 x LR6/Mignon/AA batteries.

We recommend to use Alkaline batteries of good quality, to achieve the longest battery life.

1. Remove the wall/ceiling bracket as described above. Remove the cover into the battery holder (push upward)
2. Insert the batteries into the battery holder – be aware to align them correctly (see the figure below).

When the batteries are installed correct, the Motion sensor will be ready for use after approx. 75 seconds. Motions will not be detected in this period.



Used batteries should not be disposed a domestic waste.

Batteries should be disposed according to the local regulations for batteries

After installation of Batteries

When the batteries are installed correct, the Motion sensor performs a self-test.

When the self-test has finished, this is indicated by shifting the light in the main sensor from red to green to orange for half a second each.

If an error occur during the self-test this is indicated by the light in the main sensor blinking red.

The light in the main sensor will after the self-test light up orange for 75 seconds, where after the Motion sensor is ready to detect Motions.

Testing the Motion Sensor

When the Motion sensor is installed and activated in the Alarm system, the functionality of the Motion sensor must be tested.

Let the Motion sensor register Motion an notice that the light in the Motion sensor is turned on temporarily.

After some seconds (depending on the time for SMS transfer), an Alarm SMS must be

received indicating alarm from the Motion sensor.

Fault search:

- Light is not turned on when registering Motion.
Remove the batteries and re-insert them – verify that they are aligned correctly.
Self-test as described above under “After Installation of Batteries”, will verify if there are any faults on the Motion sensor.
- Light is turned on, but SMS is not received.
Verify if the Motion sensor is activated correctly in the Alarm system, as described below under “Activation in the Alarm system”
Verify that the Motion sensor ID is keyed in correctly.
- Short detection range or no detection.
The Motion Sensor is installed in a too hot place.
Move the sensor and verify that it works correct.

Motion test

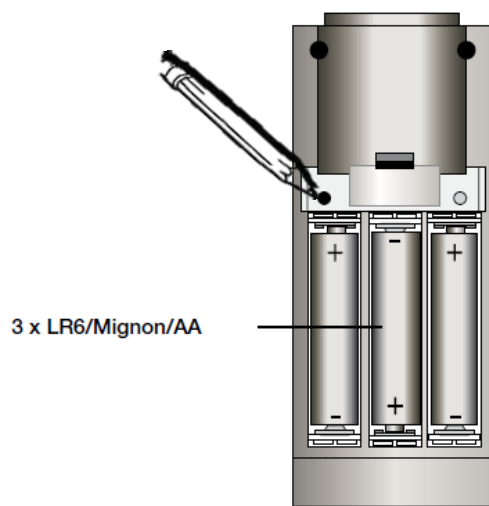
For 10 minutes after the batteries are installed, the light in the Motion sensor will indicate Motion by lighting up for 1 second.

- Motion detected via the main sensor: red light
- Motion detected via the creep sensor: green light
- Motion detected via both sensors: orange light

It is thus possible to test all sensors, detection ranges and –angles.

Reset to Factory settings

If the Motion sensor for some reason does not function and the batteries have been changed without solving the problem, reset to Factory settings can be a solution to fix the problem.



1. Press and hold the button for 5 seconds, until the light in the main sensor starts blinking slowly with red light (use a tip pen) – release the button.
2. Press and hold the button for further 5 seconds, until the light in the main sensor starts blinking faster red (use a tip pen).

3. Release the reset button to finish the reset procedure. The light in the main sensor light up red, green and orange in that order to confirm the reset.

The Motion sensor is reset to Factory settings.

Maintenance

The Motion sensor is maintenance free. Repairs should be carried out at an authorized service center.

Cleaning can be carried out with a soft cloth wrenched in lukewarm water.

Cleaning detergent containing solvent can harm the unit.

Technical Specifications

Main sensor:

- Distance/Angel max. 12 m/approx. 90° degrees

Creep-zone sensor:

- Distance/Angel max. 4 m/approx. 43° degrees

Adjustment in the bracket ±45°

Radio frequency 868.3 MHz

Typical outdoor range 300 m

Power 3 pcs. LR6/AA/Mignon

Battery life time ≥ 1 year

Protection IP20

Size ø55 x 132 mm

Changes may apply.

Safe Disposal



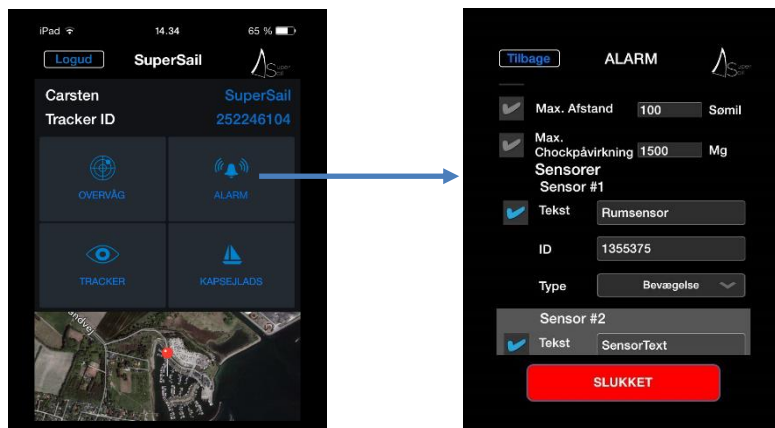
Should not be disposed a domestic waste.

Electronic equipment should be disposed according to the local regulations for electronic and electronically equipment.

Activation in the Alarm system

After installation and test, the Motion sensor must be activated in the Alarm system.

This is performed via the SuperSail app, where the Motion sensor is activated via the Alarm menu.



In the above example, we have decided to activate the Motion sensor as sensor #1, but all sensors are available for all sensor types.

In the “Text” field you can write a short text, which identifies the installation of the Motion sensor. This text will be transmitted in the Alarm SMS in case the Motion sensor is activated. It is therefore important that the text identifies the individual Motion sensor.

In the “ID” field, you write the ID written on the back of the Motion sensor. The ID is furthermore written on the Quick Guide which follows the Motion sensor. This ID is unique for the Motion sensor and makes it possible for the Alarm system to separate the wireless sensors. Save the ID in case the ID should be deleted from the app and need to be re-installed later.

In the “Type” field you choose “Motion”, which specifies that the Motion sensor is of the type Motion sensor.

Finally the sensor is activated by ticking the field next to the “Text” field. This activates the sensor in the Alarm system. When the alarm is turned on, this sensor will be included in the alarm.

It is recommended to activate the alarm and test that an alarm SMS is sent, if the Motion sensor is activated.

As long as the Motion sensor register Motion, it will send an alarm each 4. Minutes.